




FITTING INSTRUCTIONS

PART NUMBER: **08510001/08510002.**
 DESCRIPTION: **ARB SEAT HEATER KIT A/KIT B.**
 APPLICATION: **12V VEHICLES ONLY.**

<p>COMPLIANCE:</p> <ul style="list-style-type: none"> ◆ CE. ◆ UKCA. ◆ EN IEC 55014-1/-2:2021 ◆ EN IEC 61000-3-2/3-3 ◆ RoHS. 	<p style="text-align: center;">FOR HIGH VOLTAGE (HV) ELECTRIC VEHICLES</p> <p>Work on and fitting parts to High Voltage (HV) electric vehicle which have the potential to involve an interaction with the HV systems on that vehicle presents significant risks of serious injury or death due to electric shock, arc flashes and potential explosions or fires.</p> <p>When undertaking work or fitting parts that will likely involve an interaction with the vehicles HV system, appropriately qualified personnel must undertake such work or fitment of those parts in accordance with company procedures and local regulatory requirements. The qualifications required may vary depending on the location or region.</p> <p>Failure to comply with these requirements and instructions may result in serious injury or death.</p> <div style="text-align: right;">  </div>
---	---

<p>NOTES:</p> <ul style="list-style-type: none"> ◆ This product suits 12V vehicles only. ◆ This product must be installed exactly as per these instructions. ◆ The installation of this product may require the use of specialised tools and/or techniques. ◆ It is recommended that this product is only installed by trained personnel. ◆ These instructions are correct at the date of publication. ARB Corporation Ltd. cannot be held responsible for the impact of any changes subsequently made by the vehicle manufacturer. ◆ During installation, it is the duty of the installer to check correct operation/clearances of all components. ◆ Unless otherwise instructed, tighten fasteners to specified torque. ◆ Ensure all electrical connections are correct and tight with good earth connection to the body and/or chassis. Failure to do this may result in component failure or fire. ◆ Make sure all wires are securely fastened away from any hot, sharp or moving surfaces. Do not fasten any wires to the brake lines, fuel lines or high voltage cables. ◆ Make sure that all electrical connections are strong and well insulated. ◆ Work safely at all times.

ARB 4x4 ACCESSORIES

42-44 Garden St
 Kilsyth, Victoria
 AUSTRALIA, 3137

Australian enquiries
 North & South American enquiries
 Other international enquiries

Corporate Head Office

Tel: +61 (3) 9761 6622
 Fax: +61 (3) 9761 6807

sales@arb.com.au
 sales@arbusa.com
 exports@arb.com.au

www.arb.com.au



Do not pull on the wiring harness forcefully

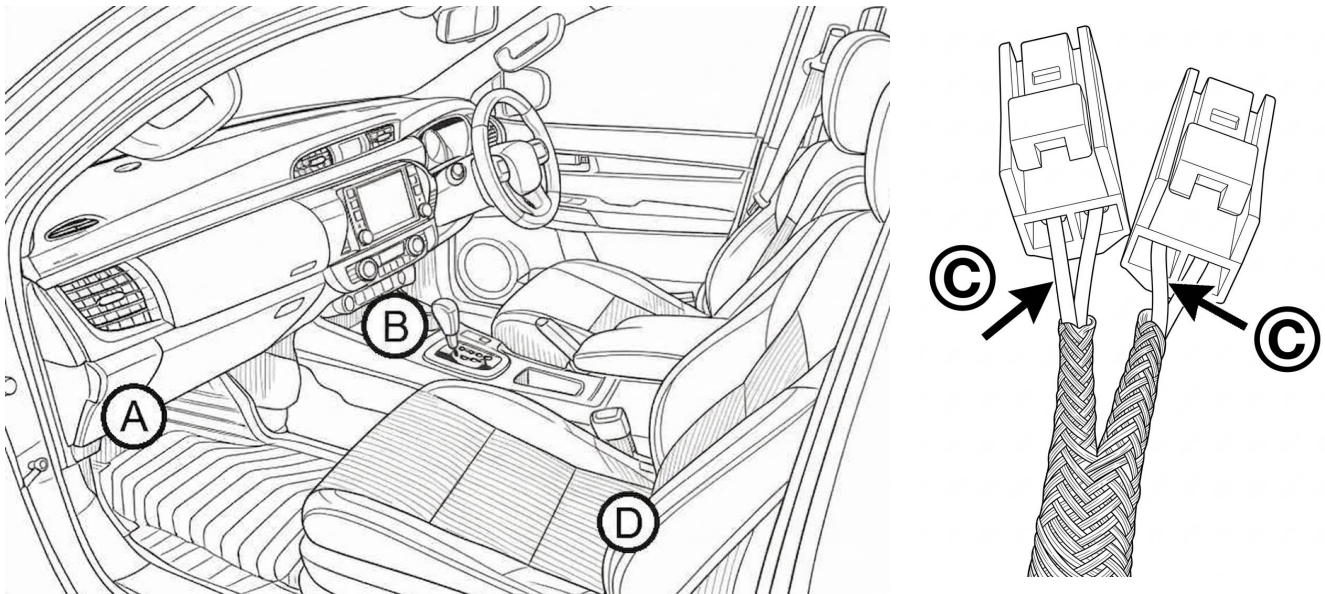


Do not connect wiring harness to engine



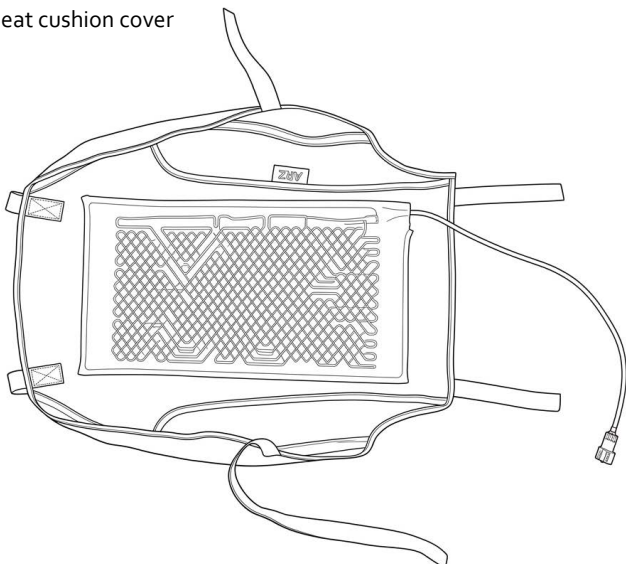
Ensure all connections are tight and pushed home

FITTING PROCEDURE:



1. Remove the negative (-ve), then the positive (+ve) terminals from the battery(s). For High Voltage vehicles, HV isolation is required.
2. Layout the harness in the cabin and locate suitable positions to connect to:
 - Battery (+ve) - Red wire.
 - Ignition (+ve) - Red/Yellow wire.
 - Illumination/Tail (+ve) - Yellow wire.
 - Ground (-ve) - Black wire.
3. The recommended location for Battery (+ve) and Ignition (+ve) is the fuse box typically located behind the glove box area **A** in most vehicles. Ensure that the fuses are fitted in a convenient, dry, sheltered and secure location.
4. Ensure that the Battery (+ve) circuit selected is capable of supplying a minimum of 12A by checking the fuse rating.
5. Route the harness behind the glove box from or to the center console area **B**, whichever is more convenient.
6. Install switch and the ECU in center console area.
7. Route the branch of the harness with the Blue wire **C** in the Heater Mat connectors to the LH seat, following the OE harnesses where possible and ensure sufficient slack for full range of movement for the seats.
8. Repeat Step 7 for the other branch of the harness with Green wires to the RH side.
9. Attach heater mats to inside surface of the seat covers using the attached double sided tape. Ensure that the orientation is correct as per below images. Check positioning before removing backing from tape.
10. Fit seat covers as per instructions and route flying leads from heater mats between the lower edge of the seat back and the cushion **D**.
11. Route the flying leads under the seat and connect heater mats to the harness.
12. Secure all wiring with supplied cable ties at appropriate points, recommended at 20cm intervals.
13. Reconnect the positive (+ve), then the negative (-ve) terminals from the battery(s).
14. Switch ON the vehicle Ignition.
15. Set the heater switch to the highest setting.
16. Check that seat surfaces become warm.

Seat cushion cover



Seat back cover

