

WINDOW STORAGE UNIT

To suit ARB Ascent Canopy

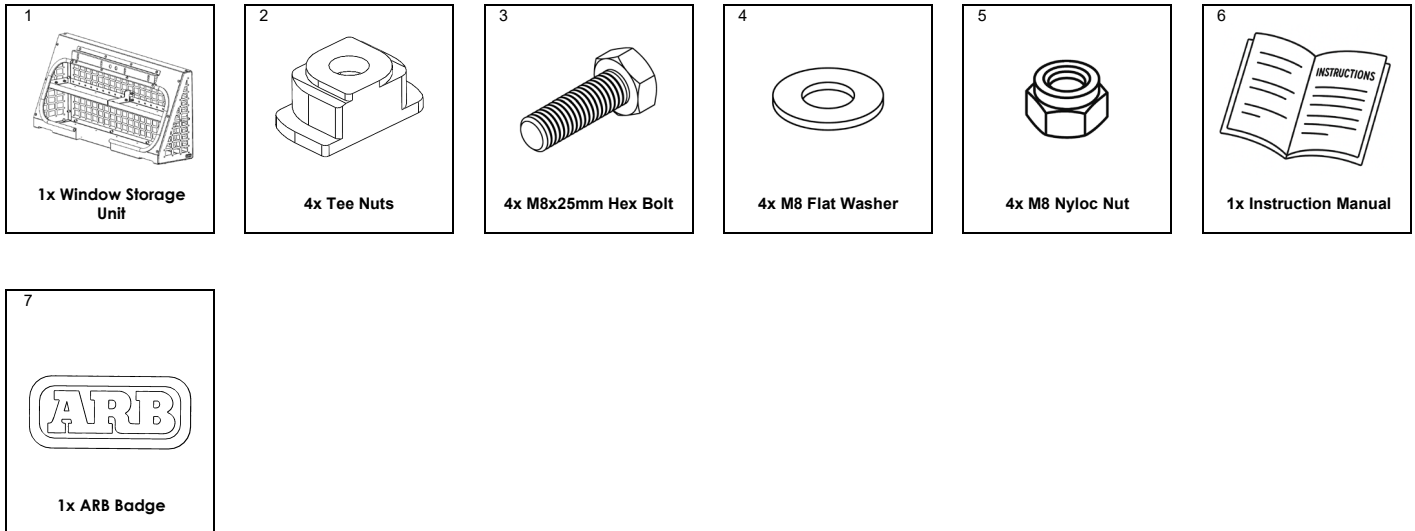


Applicability:

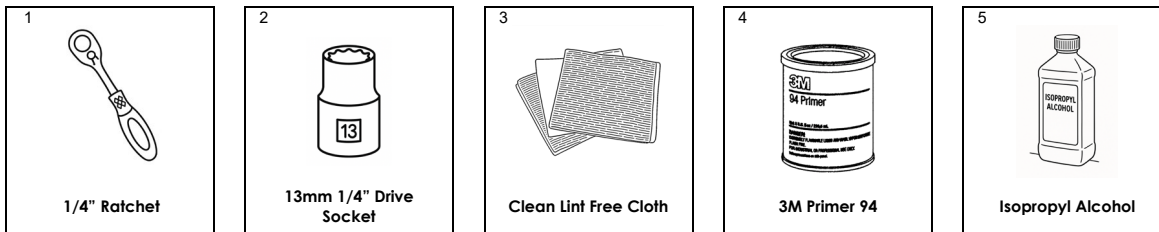
- | | |
|---------------|--|
| CISZ10 | Ford Ranger PX2/PX3 (2015 – 2022)
Toyota Hilux N80 (2015 – 2026)
Isuzu Dmax RG (2020+)
Mazda BT50 TF (2020+)
Nissan Navara D23/NP300 (2014+) |
| CISF98 | Ford Ranger PY (2022+)
Ford Raptor PY (2022+)
Volkswagen Amarok NF (2022+) |
| CIST94 | Toyota Hilux (2025+) |

Approximate Fitting Time: 0.5 Hrs
CISZ10-FI

INCLUDED COMPONENTS:



REQUIRED TOOLS:



PRELIMINARY INFORMATION:

WARNINGS

- Do not use this product for any other vehicle make or model, other than those specified in the confirmed fit list.
- Do not modify the Canopy Window Storage Unit.
- Always wear gloves whilst handling the Canopy Window Storage Unit.

CAUTIONS

Torque specifications unless otherwise stated:

- 13Nm for the M8 mounting fasteners.

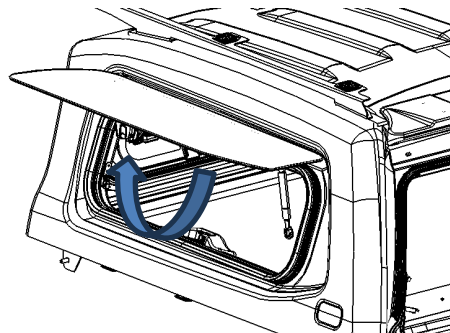
NOTES

- The Window Storage Unit fits both LH and RH windows of the ARB Ascent Canopy.
- Please take the time to read the instructions thoroughly before proceeding with the fitment of the Window Storage Unit.
- Ensure all components, as listed above, are received prior to commencing the fitment. Please retain all hardware until fit-up is complete.
- Ensure these fitting instructions are passed onto the vehicle owner and/or operator.
- Each model of Window Storage Unit has a slightly different appearance however the fundamental concepts for installation are the same.

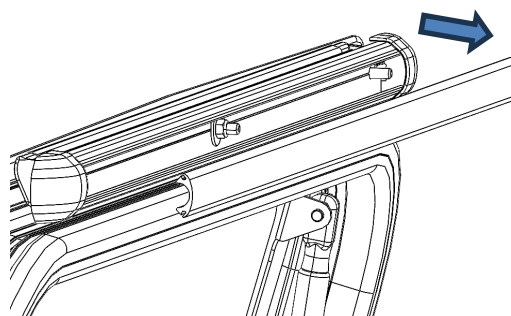
INSTALLATION PROCEDURE

Preparation

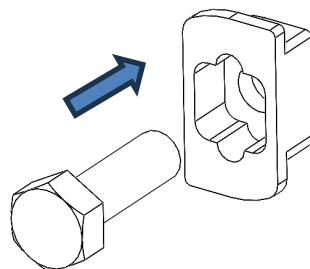
A. Open the window where the Window Storage Unit will be installed.



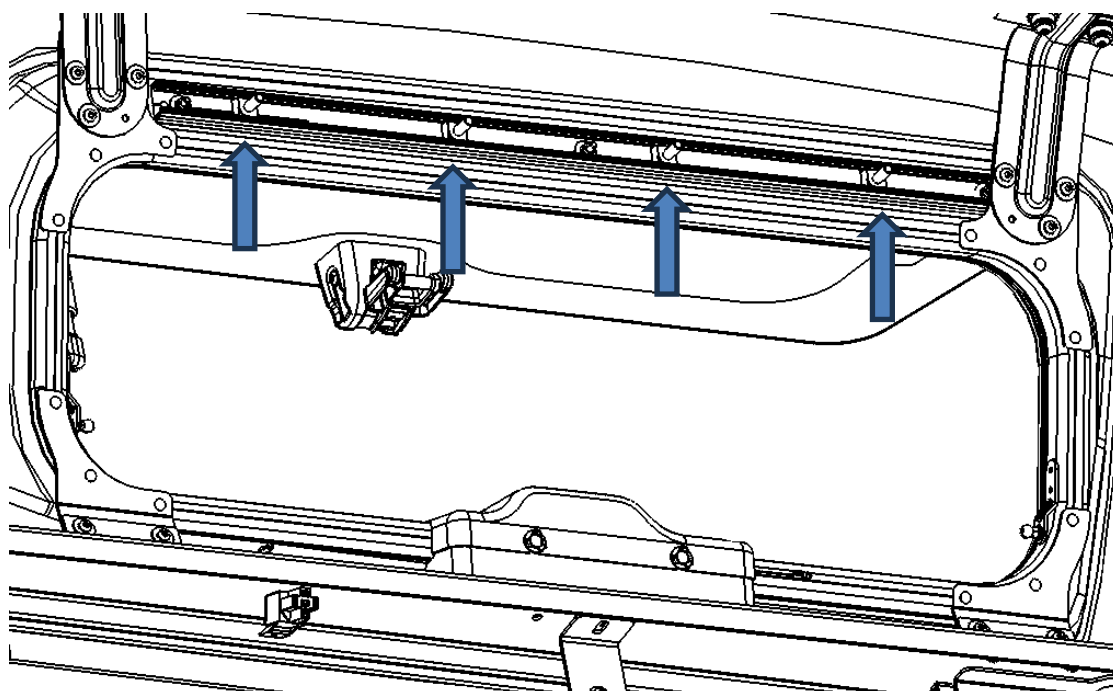
B. From the inside of the canopy, remove the rubber moulding from the channel at the top of the window on the canopies interior.



C. Insert an M8x25 bolt into each of the 4 Tee Nuts, insert the assembled tee nut into the window channel and rotate 90° clockwise until they are retained in the channel.

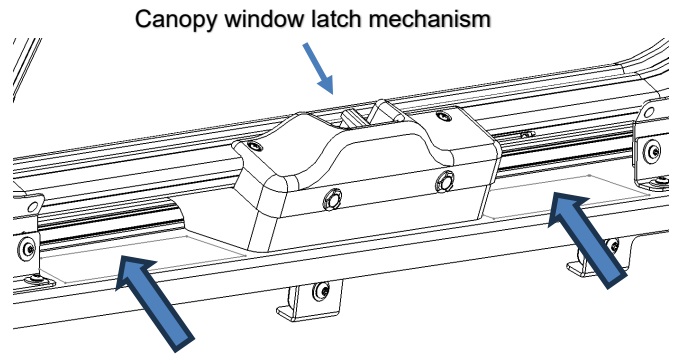


Slide the Tee Nuts apart using the slot spacings at the top of the Storage Unit as a guide.



D. Clean the ledge at the base of the window using a clean lint-free cloth and rubbing alcohol and allow to evaporate completely.

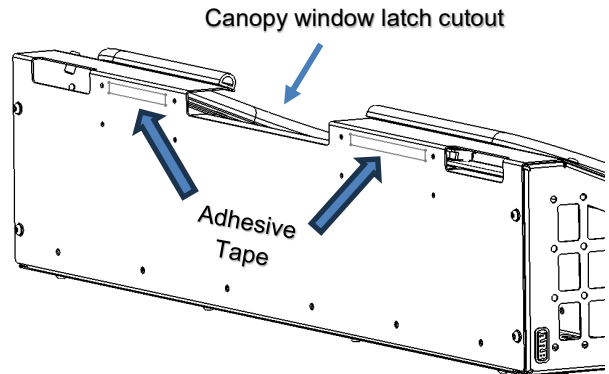
Apply 3M Primer 94 or equivalent to the bonding area where the Storage Unit will rest on the ledge.



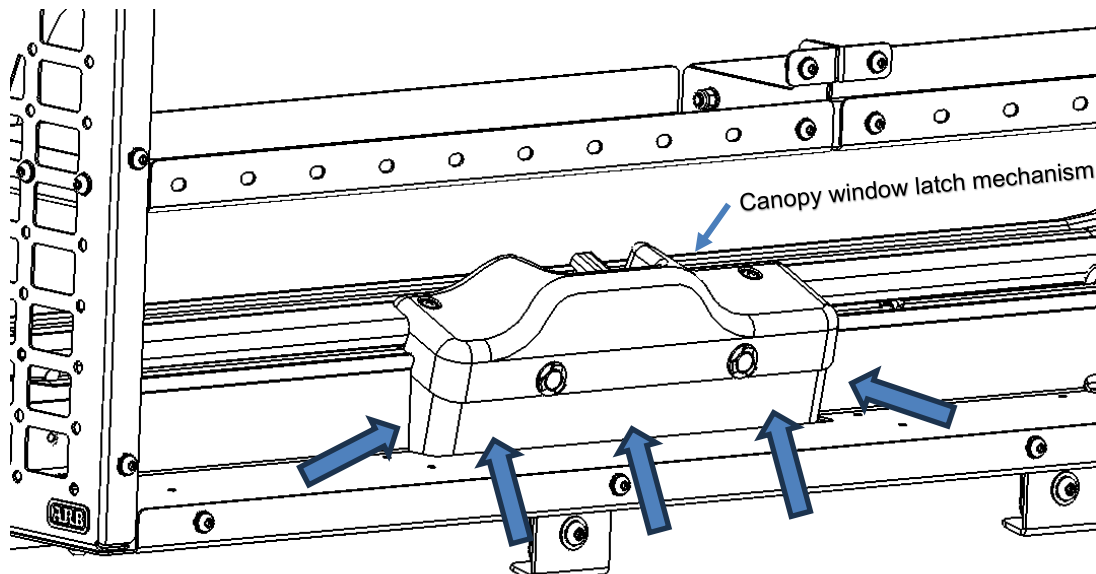
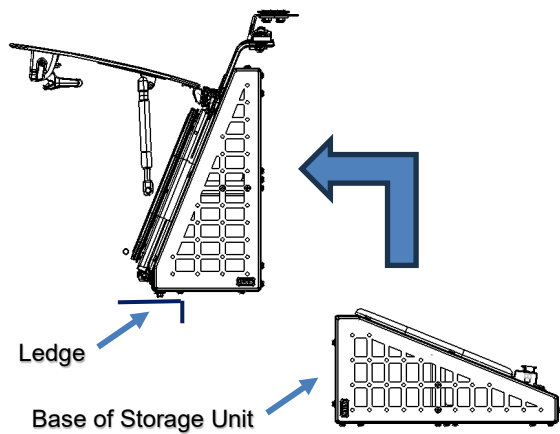
Installation

E. Lay the Storage unit on its back in the tub of the ute with the window cut-out facing the window where it is to be installed.

Remove the protective film from the adhesive tape at the base of the Storage Unit.

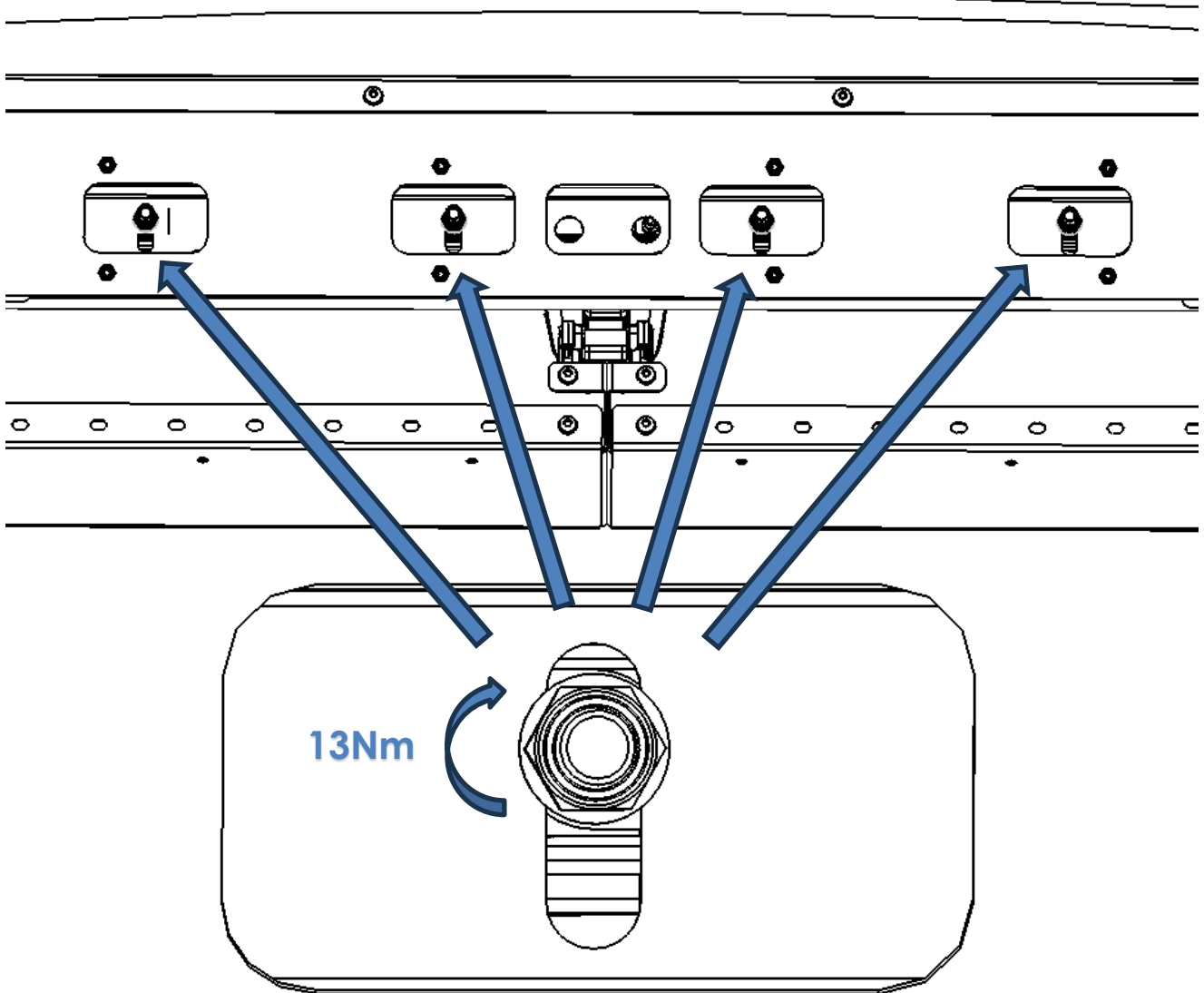


F. Lift the Storage Unit & rotate it so that the base of the Storage Unit is parallel to the ledge at the base of the window. Set the unit down on the ledge with the windows latch mechanism fit into the notch at the base of the unit.



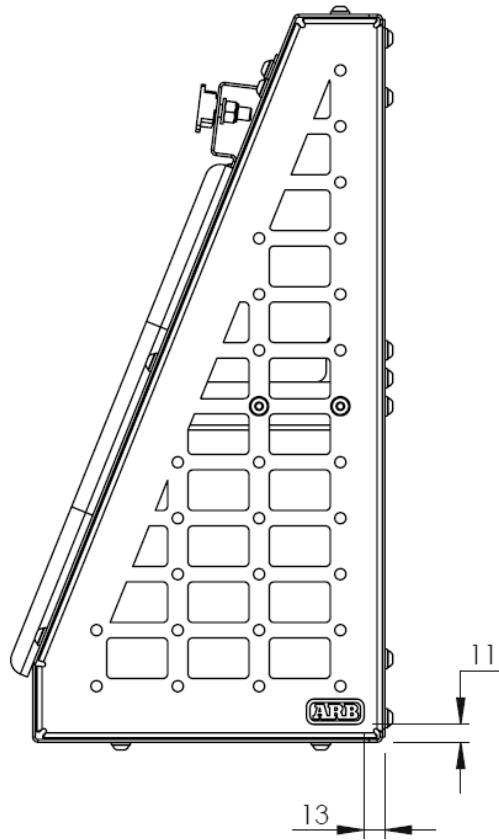
G. As the storage unit is rotated into position against the canopy, slide the Tee Nuts along the channel at the top of the window until the bolts can pass through the upper slots in the Storage Unit. Push the top of the unit against the window channel and fit an M8 washer and nyloc nut to each of the M8x25 bolts from the inside of the unit. Tighten to 13Nm.

Caution: Do not overtighten the M8 fasteners!



Completion

H. Wipe the unit down with a dry cloth. At the visible end of the unit, Install the provided ARB badge as illustrated below.



LH Side Unit Shown

I. Installation of the Window Storage Unit is now complete!