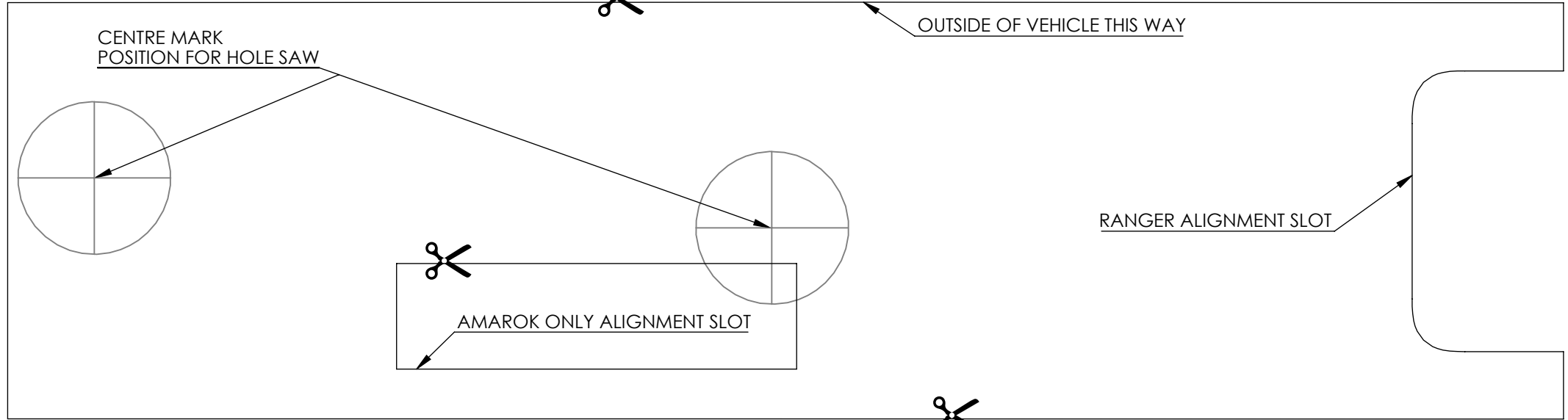


CONTROLLED DRAWING

REVISIONS

REV.	DESCRIPTION	BY	DATE	ECN No.
A	FIRST RELEASE	IH	22/09/2023	



**CHECK SCALE
BEFORE CUTTING**

100

50

PROPRIETARY & CONFIDENTIAL © COPYRIGHT ALL RIGHTS RESERVED. THIS DRAWING MUST NOT BE COPIED OR USED FOR ANY PURPOSE WITHOUT THE EXPRESS AUTHORITY OF ARB CORPORATION LIMITED.	ARB ARB Corporation Ltd		TITLE: BED RACK FRONT FOOT TEMPLATE SUITS AMAROK RANGER	
	DO NOT SCALE ALL DIMENSIONS IN MILLIMETERS		GENERAL MATERIALS AND FINISH REQUIREMENTS REFER TO S01-069	
ANGULAR TOL. X° ± 1° X.X° ± 0.5°	LINEAR TOL. X ± 1.0 X.X ± 0.5	MATERIAL: PAPER		MASS (kg): 0.1
REMOVE ALL BURRS, FLASH & SHARP EDGES		THIRDS ANGLE PROJECTION SCALE 1:1 SIZE A4	DETAILED I HOWARD CHECKED J STUBBE	DATE 13/06/2023 DATE 22/09/2023
PART NO.: 37801338			PAGE 1 OF 1	REV. A