

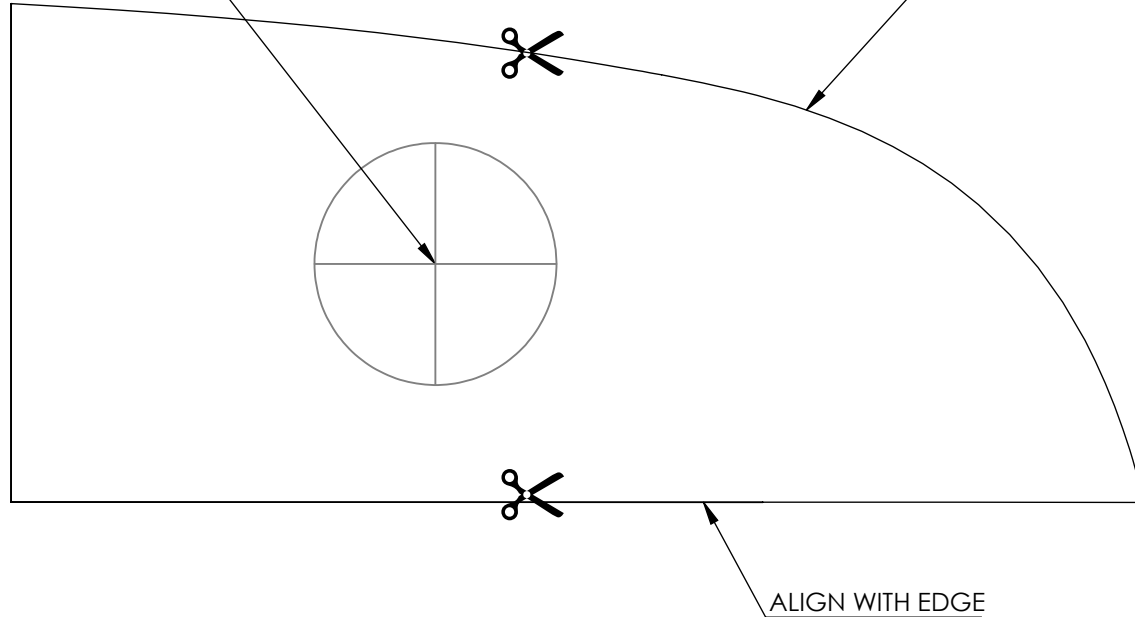
CONTROLLED DRAWING

REVISIONS

REV.	DESCRIPTION	BY	DATE	ECN No.
A	FIRST RELEASE	IH	10/11/2023	

CENTRE MARK
POSITION FOR HOLE SAW

ALIGN WITH RADIUS



100

**CHECK SCALE
BEFORE CUTTING**

100

PROPRIETARY & CONFIDENTIAL © COPYRIGHT ALL RIGHTS RESERVED. THIS DRAWING MUST NOT BE COPIED OR USED FOR ANY PURPOSE WITHOUT THE EXPRESS AUTHORITY OF ARB CORPORATION LIMITED.		ARB ARB Corporation Ltd		TITLE: BED RACK REAR FOOT TEMPLATE SUITS AMAROK	
DO NOT SCALE ALL DIMENSIONS IN MILLIMETERS		GENERAL MATERIALS AND FINISH REQUIREMENTS REFER TO S01-069		MATERIAL: PAPER	
MASS (kg): 0.0		FINISH: N/A		PART NO.: 37801339	
REMOVE ALL BURRS, FLASH & SHARP EDGES		SCALE 1:1 SIZE A4		PAGE 1 OF 1 REV. A	
ANGULAR TOL. X° ± 1° X.X° ± 0.5°	LINEAR TOL. X ± 1.0 X.X ± 0.5	THIRD ANGLE PROJECTION		DETAILED I HOWARD CHECKED J STUBBE	DATE 13/06/2023 DATE 10/11/2023