

HAYMAN REESE
PART No: 03009W
TOYOTA RAV4 2013 ON

INSTALLATION INSTRUCTIONS

PLEASE ENSURE THAT ALL INSTRUCTIONS ARE UNDERSTOOD PRIOR TO FITMENT
PLACE THESE INSTRUCTIONS IN THE VEHICLE'S GLOVEBOX AFTER INSTALLATION IS COMPLETED



Installation Time: Approx 100 Mins

Towbar Installation Instructions

Towbar capacity

TOYOTA RAV4 2013 ON

Part Number 03009W

Max Towing Braked	1500 kg
Max Towing Unbraked	750 kg
Max Static Ball Load	150 kg

Hayman Reese (Cequent)
PO Box 4050, Dandenong South VIC 3164
Phone 1800 812 017 Email info@haymanreese.com.au

HAYMAN REESE
PART No: 03009W
TOYOTA RAV4 2013 ON

INSTALLATION INSTRUCTIONS

PLEASE ENSURE THAT ALL INSTRUCTIONS ARE UNDERSTOOD PRIOR TO FITMENT
PLACE THESE INSTRUCTIONS IN THE VEHICLES'S GLOVEBOX AFTER INSTALLATION IS COMPLETED

Warning:

1. Do not, drill, cut, weld or otherwise modify the towbar.
2. If you are using electric welding on a motor vehicle, **always** check that the vehicle is not equipped with electronic engine or instrument management equipment. Failure to do so could **destroy** any onboard computers. If in doubt, check with the vehicle's manufacturer.

General:

1. Ensure all hardware items have been included refer to assembly diagram.
2. It is recommended that the instructions are read through and completely understood before making any attempt to fit this product.
3. Be wary of any changes to vehicle designs or other accessories that may conflict with the installation of this product.
4. Before drilling ensure that the area is clear of fuel, electrical & other components.
5. All holes drilled into the body panels shall have all burrs & swarf removed then coated with a suitable rust preventative paint.
6. The high tensile fasteners supplied with this product were used to achieve the specified rating. If replacement is required ensure that fasteners of the same rating & quality are used. Contact an authorised **Hayman Reese** dealer if further information is required.
7. Ensure that all hardware is fastened to torque list below check fasteners on regular basis.
8. Towbar load rating sticker provided with this product shall be conspicuously located on inside rear end of the driver's door. **(See diagram below)**.
9. Hayman Reese recommends that you check your tow ball to ensure that it complies with the Australian standards **AS 4177.2**.
10. **PLEASE NOTE:** It is advised to remove your lug or tbm when not actually towing so as to produce a clear view of the vehicles registration plate if obscured, and to also provide maximum available departure angle.
11. Pull Pin must be fit in down position.

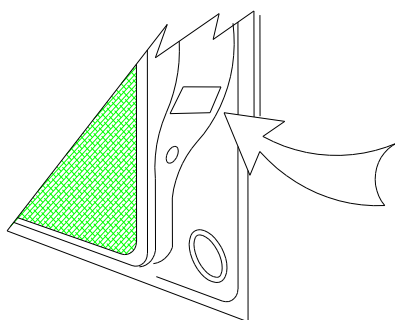
Tow bar Maintenance and Care.

Hayman Reese recommends that bolt torque's, as listed below, are routinely and regularly inspected and checked for correct tension. Replace any worn or defective parts.

We recommended to remove Tow Ball Mounts (TBM's, tongues or lugs) when not being used for any considerable length of time.

So as to avoid injury, when not towing it is suggested that the tongue, Pull Pin and R-clip are removed then stored in a safe, clean and dry place, away from excessive moisture.

Hitch Pull Pins and spring "R" clips are regularly checked for proper installation. Replace any worn or defective parts.



Place load rating sticker
inside driver's door here

RECOMMENDED ASSEMBLY TORQUE LISTING

<u>Diameter</u>	<u>Grade 8.8 Bolt</u>	
M6		9.5 Nm
M8		21.7 Nm
M10		43.4 Nm
M12		77.3 Nm
M14		146 Nm
M16		189.8 Nm

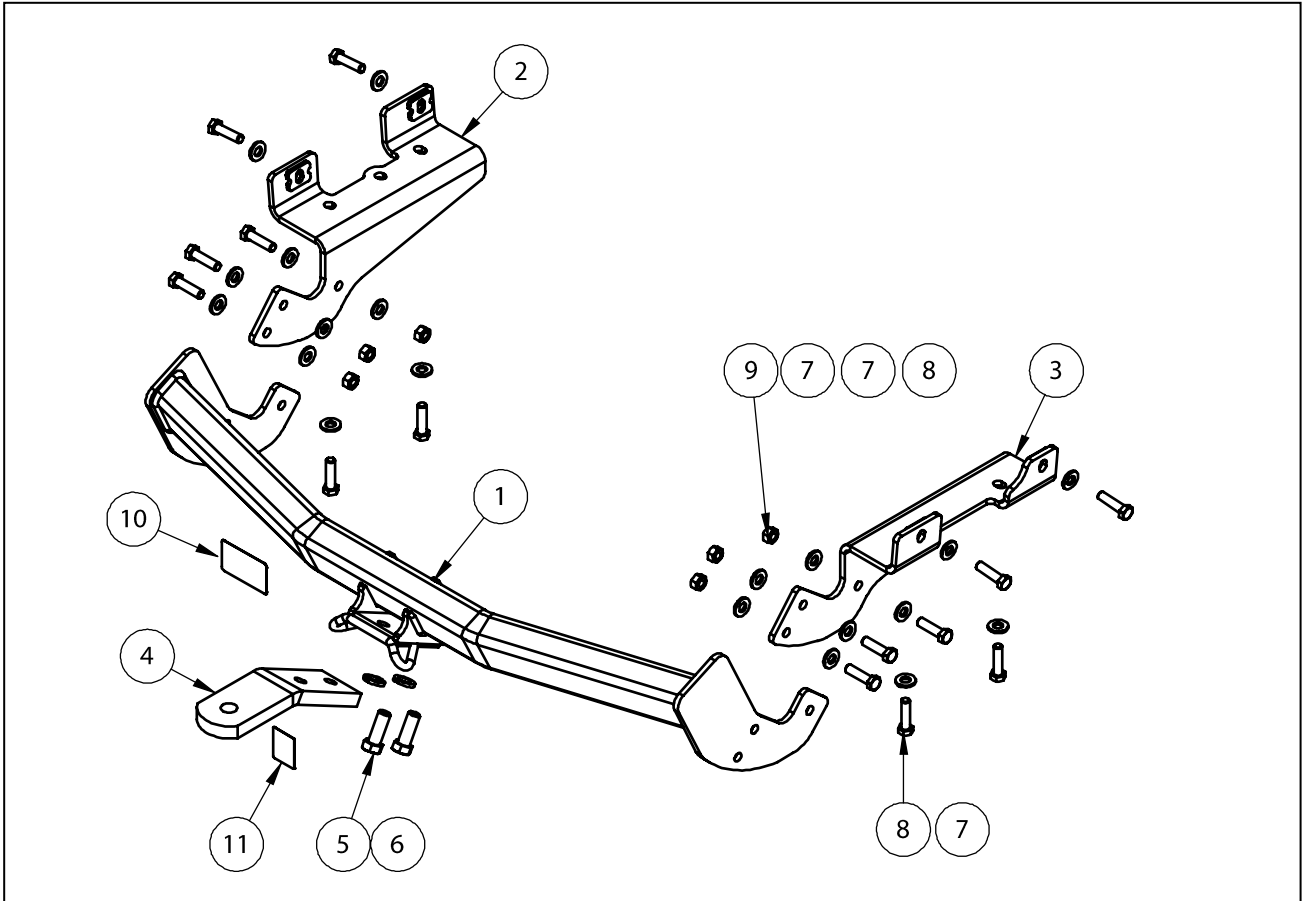
FOR TOWING PURPOSES ONLY

For towing capacity details please refer to vehicle owner's manual or to the manufacturer. Overloading can void your warranties.

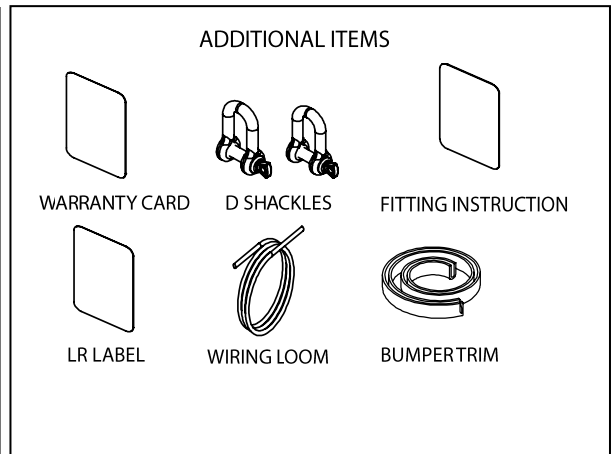
HAYMAN REESE
PART No: 03009W
TOYOTA RAV4 2013 ON

INSTALLATION INSTRUCTIONS

PLEASE ENSURE THAT ALL INSTRUCTIONS ARE UNDERSTOOD PRIOR TO FITMENT
 PLACE THESE INSTRUCTIONS IN THE VEHICLES'S GLOVEBOX AFTER INSTALLATION IS COMPLETED



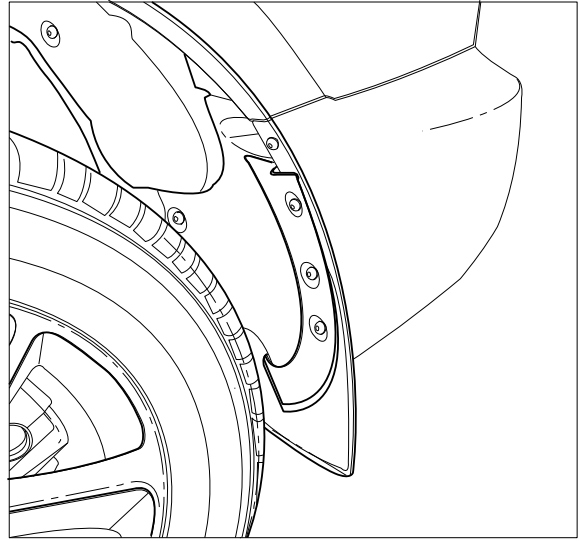
QTY.	DESCRIPTION	ITEM NO.
1	TOYOTA RAV4 WELDED ASSEMBLY	1
1	SIDEARM ASSEMBLY LHS	2
1	SIDEARM ASSEMBLY RHS	3
1	LUG	4
2	M16x45 2.0P BOLT	5
2	M16x5x3.5 SPRING WASHER	6
20	WASHER FLAT 1/2"x1 1/8"x1/8"	7
14	SET SCREW M12-1.25 x45mm	8
6	M12x1.25 HEX NUT PC8	9
1	ACRYLIC CP LABEL	10
1	H.R STICKER	11



INSTALLATION INSTRUCTIONS

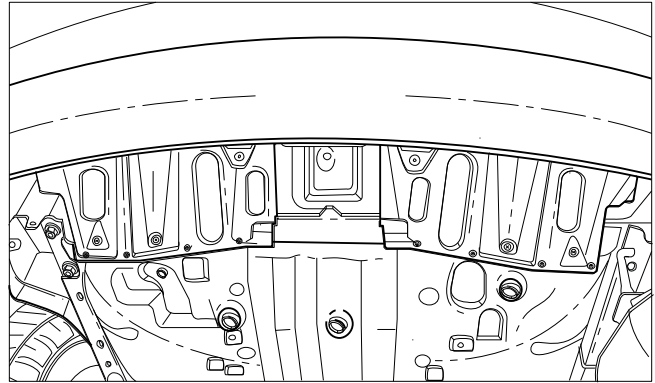
PLEASE ENSURE THAT ALL INSTRUCTIONS ARE UNDERSTOOD PRIOR TO FITMENT
PLACE THESE INSTRUCTIONS IN THE VEHICLES'S GLOVEBOX AFTER INSTALLATION IS COMPLETED

1. Remove 1x Screw in wheel arch on both sides.

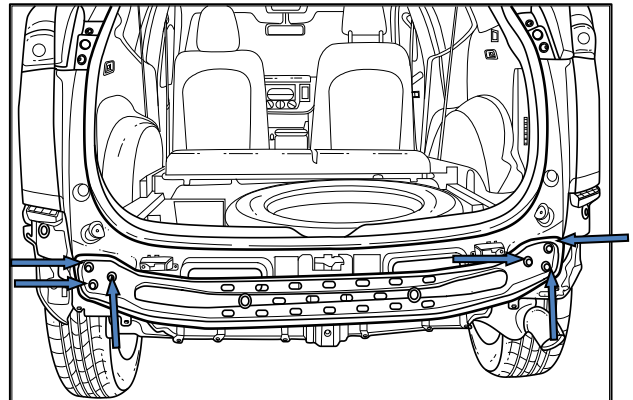


2. Remove under tray by first removing 6x Scrivets.

Remove Bumper by releasing the Clips on the sides and firmly pulling backwards.



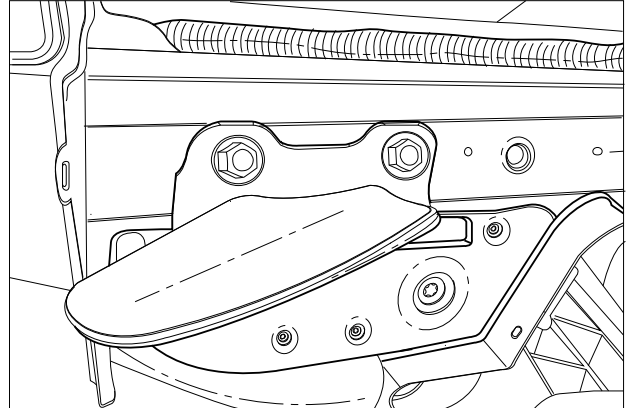
3. Remove Impact beam (6x Bolts) and discard.



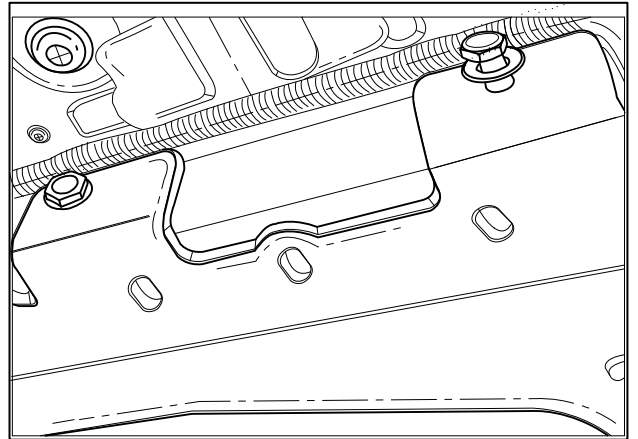
INSTALLATION INSTRUCTIONS

PLEASE ENSURE THAT ALL INSTRUCTIONS ARE UNDERSTOOD PRIOR TO FITMENT
PLACE THESE INSTRUCTIONS IN THE VEHICLES'S GLOVEBOX AFTER INSTALLATION IS COMPLETED

4. Remove Shipping Hook (2x Bolts).

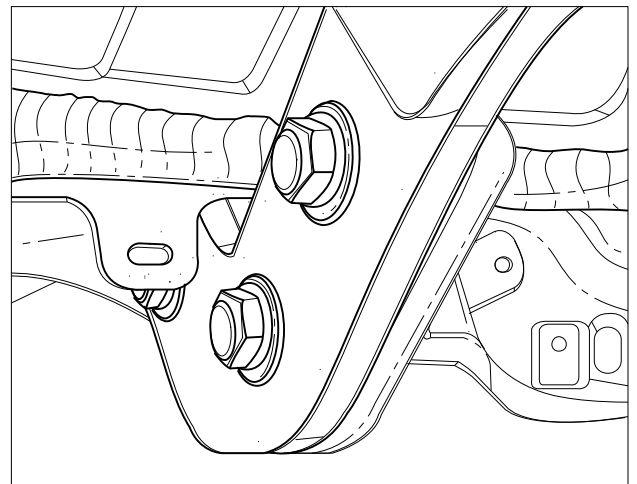


5. Loosely Bolt both side arms to Chassis using 2x M12 Bolts and Washers horizontally.



6. Bolt the centre section to the side arms using 3x M12 Bolt, 6x Washers & 3x M12 Nuts on both sides.

Fit the remaining M12 Bolts and Washers to the underside of the chassis and torque all bolts to specifications provided on the second page.



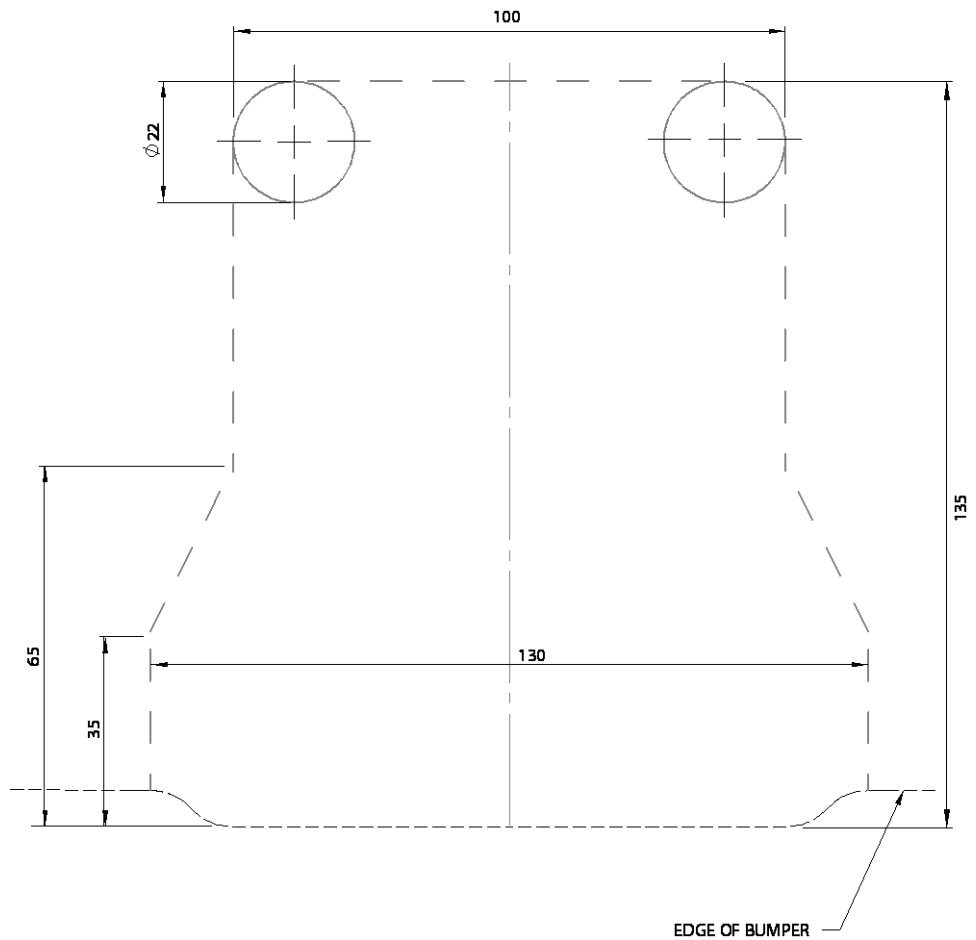
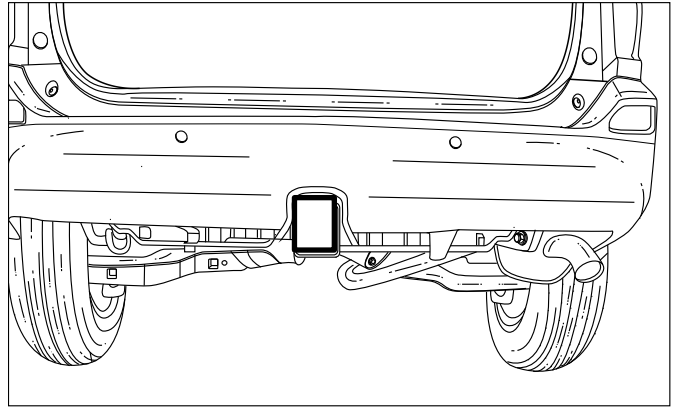
HAYMAN REESE
PART No: 03009W
TOYOTA RAV4 2013 ON

INSTALLATION INSTRUCTIONS

PLEASE ENSURE THAT ALL INSTRUCTIONS ARE UNDERSTOOD PRIOR TO FITMENT
PLACE THESE INSTRUCTIONS IN THE VEHICLE'S GLOVEBOX AFTER INSTALLATION IS COMPLETED

7. Cut out Bumper section as shown.

Refit all parts in reverse order.



**BUMPER CUT
NOT TO SCALE**

HAYMAN REESE
PART No: 100945-WL
TOYOTA RAV 4

INSTALLATION INSTRUCTIONS

PLEASE ENSURE THAT INSTRUCTIONS ARE UNDERSTOOD PRIOR TO FITMENT

Wiring Loom Installation Instructions

TOYOTA RAV 4

Part No: 100945-WL
ECU Required: 04826

Tail Harness Length Required: 1800mm

Wiring Loom Installation Time: Approx. 30 minutes

Issue Date 30-09-13

Page 1

Part No: 100945-WL

Hayman Reese (Cequent)
PO Box 4050, Dandenong South VIC 3164
Phone 1800 812 017 Email info@haymanreese.com.au

www.haymanreese.com.au



HAYMAN REESE
PART No: 100945-WL
TOYOTA RAV 4

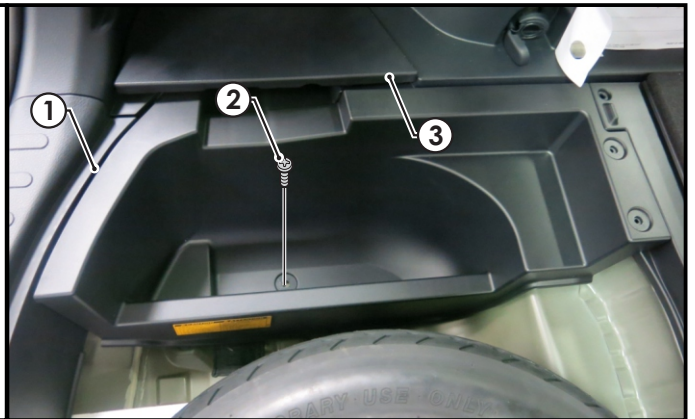
INSTALLATION INSTRUCTIONS

PLEASE ENSURE THAT INSTRUCTIONS ARE UNDERSTOOD PRIOR TO FITMENT

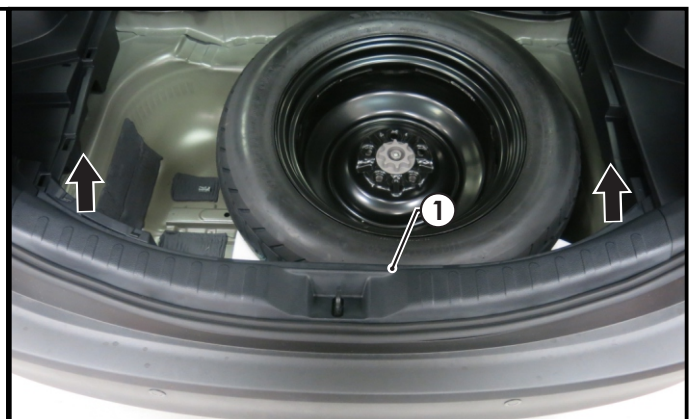
1. In the luggage compartment, remove the floor carpet cover (1).



2. On the LHS of the luggage compartment, remove the tool tray (1) by first removing the screw (2).
3. Remove LHS trim cover (3).



4. Remove the rear luggage compartment trim (1).



Issue Date 30-09-13

Page 2

Part No: 100945-WL

Hayman Reese (Cequent)
PO Box 4050, Dandenong South VIC 3164
Phone 1800 812 017 Email info@haymanreese.com.au

www.haymanreese.com.au

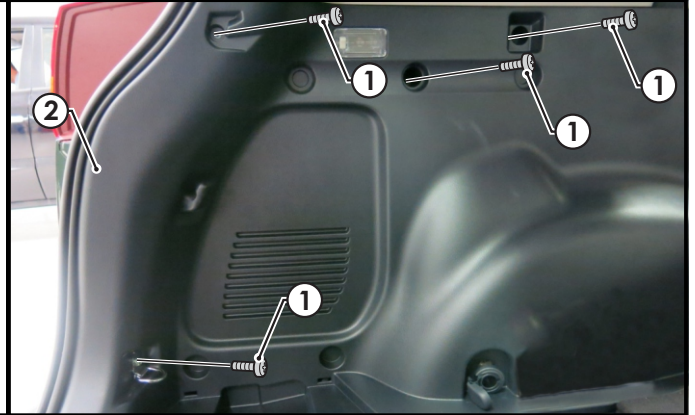


HAYMAN REESE
PART No: 100945-WL
TOYOTA RAV 4

INSTALLATION INSTRUCTIONS

PLEASE ENSURE THAT INSTRUCTIONS ARE UNDERSTOOD PRIOR TO FITMENT

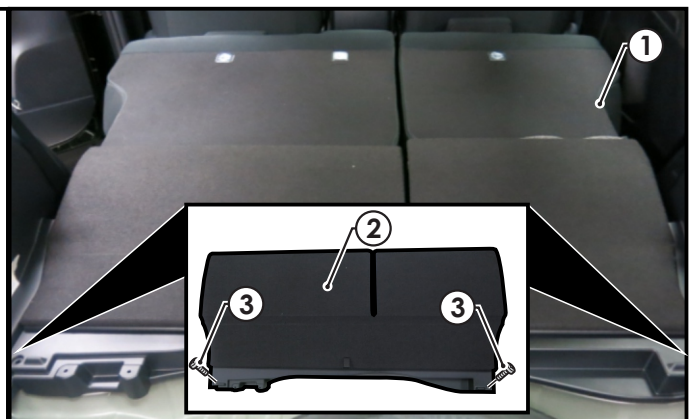
5. On the LHS of the luggage compartment, remove the four screws (1) securing the lower luggage compartment trim (2).



6. On the LHS rear passenger side, remove the door trim (1).



7. In the luggage compartment, remove rear seat (1) trim cover (2) by removing the two screws (3).



Issue Date 30-09-13

Page 3

Part No: 100945-WL

Hayman Reese (Cequent)
PO Box 4050, Dandenong South VIC 3164
Phone 1800 812 017 Email info@haymanreese.com.au

www.haymanreese.com.au

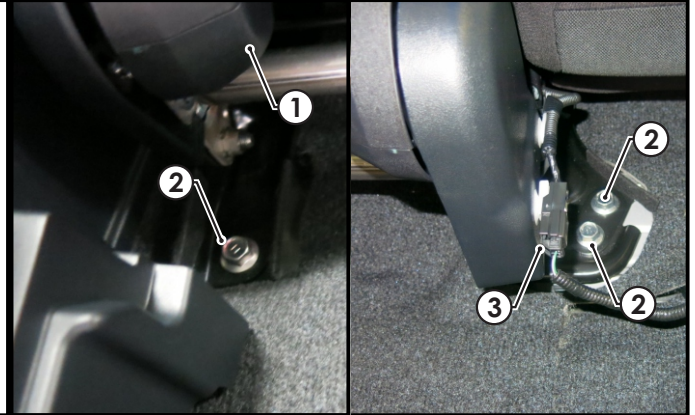


HAYMAN REESE
PART No: 100945-WL
TOYOTA RAV 4

INSTALLATION INSTRUCTIONS

PLEASE ENSURE THAT INSTRUCTIONS ARE UNDERSTOOD PRIOR TO FITMENT

8. On the rear passenger seat (1), remove the three bolts (2) and disconnect the seat connector (3).
9. Remove the rear passenger seat (1).
10. Remove the rear LHS seat belt bolt.



11. Remove the LHS lower luggage compartment trim (1) and disconnect the light connector (2).



12. Dislodge the LHS upper luggage compartment trim (1).



Issue Date 30-09-13

Page 4

Part No: 100945-WL

Hayman Reese (Cequent)
PO Box 4050, Dandenong South VIC 3164
Phone 1800 812 017 Email info@haymanreese.com.au

www.haymanreese.com.au

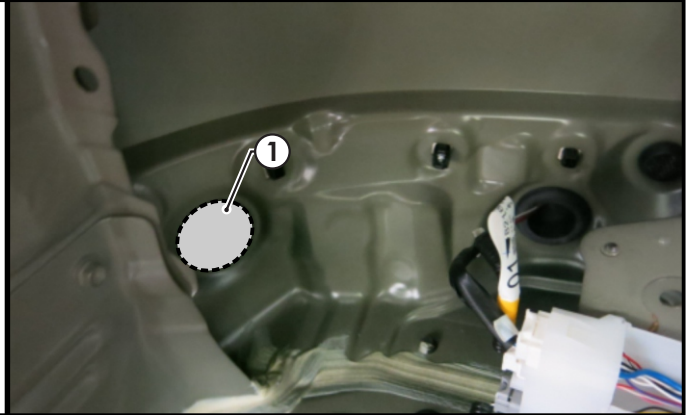


HAYMAN REESE
PART No: 100945-WL
TOYOTA RAV 4

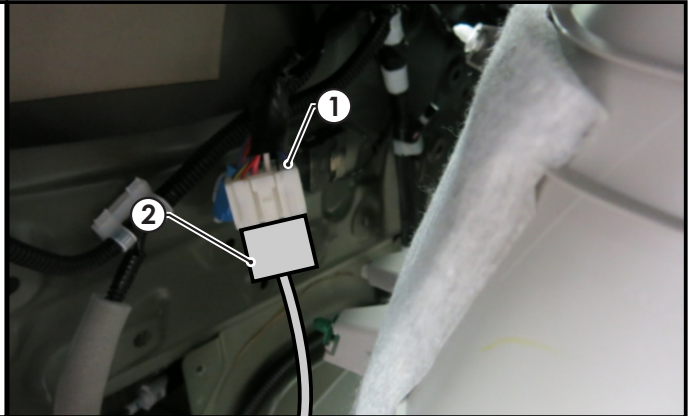
INSTALLATION INSTRUCTIONS

PLEASE ENSURE THAT INSTRUCTIONS ARE UNDERSTOOD PRIOR TO FITMENT

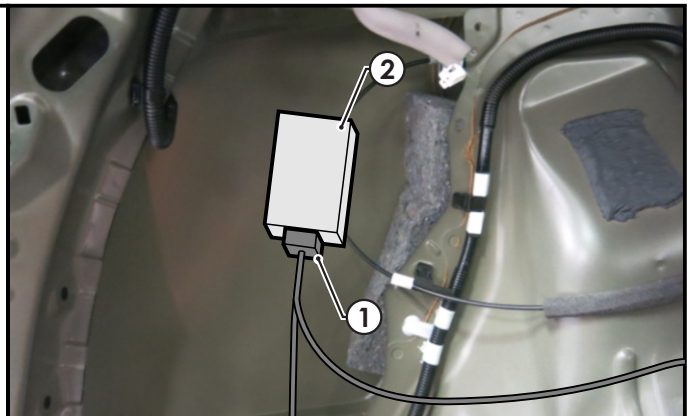
13. On the LHS rear quarter panel of the luggage compartment, drill out the existing vehicle grommet to Ø30mm (1).



14. On the LHS of the luggage compartment, locate the vehicle breakout connector (1).
15. Connect the trailer patch (2) to the vehicle breakout connector (1).



16. Connect the trailer patch 12-way connector (1) to the ECU (2).
17. Apply the double sided tape to the ECU (2) and adhere it onto the indicated location on the sheet metal.



Issue Date 30-09-13

Page 5

Part No: 100945-WL

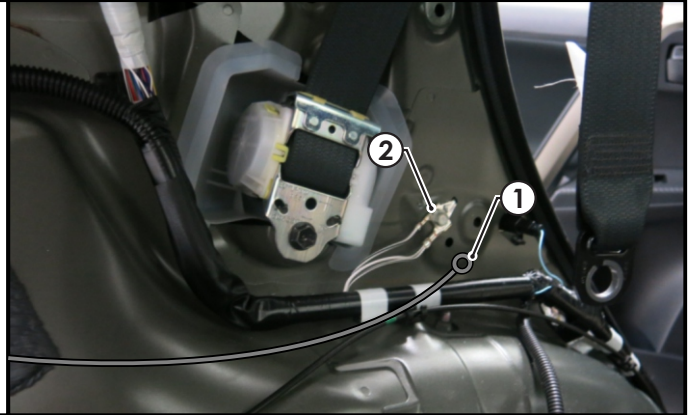
Hayman Reese (Cequent)
PO Box 4050, Dandenong South VIC 3164
Phone 1800 812 017 Email info@haymanreese.com.au

HAYMAN REESE
PART No: 100945-WL
TOYOTA RAV 4

INSTALLATION INSTRUCTIONS

PLEASE ENSURE THAT INSTRUCTIONS ARE UNDERSTOOD PRIOR TO FITMENT

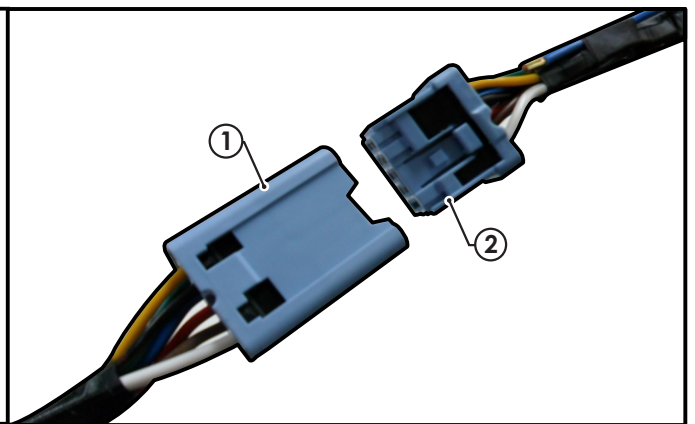
18. Secure the trailer patch ground ring terminal (1) to the vehicle grounding point (2).



19. Mount the tail harness socket (1) to the towbar mounting bracket using M4 fasteners (not supplied).
20. Route the tail harness (2) up through the LHS vehicle's grommet hole.
21. Ensure the tail harness grommet is seated correctly and secure in place using a cable tie (not supplied).



22. Connect the tail harness (tail length 1800mm) 8-way connector (1) to the trailer harness mating 8-way connector (2).



Issue Date 30-09-13

Page 6

Part No: 100945-WL

Hayman Reese (Cequent)
PO Box 4050, Dandenong South VIC 3164
Phone 1800 812 017 Email info@haymanreese.com.au

HAYMAN REESE
PART No: 100945-WL
TOYOTA RAV 4

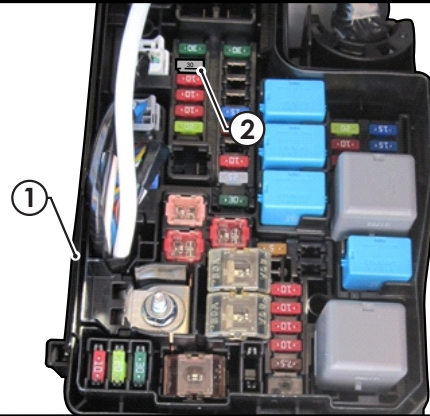
INSTALLATION INSTRUCTIONS

PLEASE ENSURE THAT INSTRUCTIONS ARE UNDERSTOOD PRIOR TO FITMENT

23. In the LHS of the engine bay, remove the fuse block (1) cover.

Note: Ensure the LH engine bay fuse block is selected (passenger side).

24. Refer to the underside of the fuse block cover and locate the towing B-fuse cavity.
25. Insert the supplied 30A fuse (2) into the vacant fuse cavity.



26. Test the trailer harness function using a light board or multimeter.
27. Secure all harness using cable ties (not supplied).
28. Re-fit all removed parts and secure all fasteners, ensuring there are no squeaks or rattles.
29. Place instructions in glove box after fitment.

Issue Date 30-09-13

Page 7

Part No: 100945-WL

Hayman Reese (Cequent)
PO Box 4050, Dandenong South VIC 3164
Phone 1800 812 017 Email info@haymanreese.com.au

www.haymanreese.com.au

