

HAYMAN REESE
PART No: **03114RW**
TOYOTA HILUX MY15 GUN SERIES TRAY VARIANT ONLY
INSTALLATION INSTRUCTIONS

PLEASE ENSURE THAT ALL INSTRUCTIONS ARE UNDERSTOOD PRIOR TO FITMENT
PLACE THESE INSTRUCTIONS IN THE VEHICLE'S GLOVEBOX AFTER INSTALLATION IS COMPLETED



Installation Time: Approx **60** Mins

Towbar Installation Instructions

Towbar capacity

TOYOTA HILUX MY15 GUN SERIES TRAY VARIANT ONLY

Part Number 03114RW	Max Towing Braked	3500 kg
	Max Towing Unbraked	750 kg
	Max Static Ball Load	350 kg

Hayman Reese (Cequent)
PO Box 4050, Dandenong South VIC 3164
Phone 1800 812 017 Email info@haymanreese.com.au

HAYMAN REESE
PART No: 03114RW
TOYOTA HILUX MY15 GUN SERIES TRAY VARIANT ONLY
INSTALLATION INSTRUCTIONS

PLEASE ENSURE THAT ALL INSTRUCTIONS ARE UNDERSTOOD PRIOR TO FITMENT
PLACE THESE INSTRUCTIONS IN THE VEHICLES'S GLOVEBOX AFTER INSTALLATION IS COMPLETED

Warning:

1. Do not, drill, cut, weld or otherwise modify the towbar.
2. If you are using electric welding on a motor vehicle, **always** check that the vehicle is not equipped with electronic engine or instrument management equipment. Failure to do so could **destroy** any onboard computers. If in doubt, check with the vehicle's manufacturer.
3. If TBM is used in inverted position tow ball may make contact with rear tailgate when lowered, which could cause damage.

General:

1. Ensure all hardware items have been included refer to assembly diagram.
2. It is recommended that the instructions are read through and completely understood before making any attempt to fit this product.
3. Be wary of any changes to vehicle designs or other accessories that may conflict with the installation of this product.
4. Before drilling ensure that the area is clear of fuel, electrical & other components.
5. All holes drilled into the body panels shall have all burrs & swarf removed then coated with a suitable rust preventative paint.
6. The high tensile fasteners supplied with this product were used to achieve the specified rating. If replacement is required ensure that fasteners of the same rating & quality are used. Contact an authorised **Hayman Reese** dealer if further information is required.
7. Ensure that all hardware is fastened to torque list below check fasteners on regular basis.
8. Towbar load rating sticker provided with this product shall be conspicuously located on inside rear end of the driver's door. **(See diagram below).**
9. Hayman Reese recommends that you check your tow ball to ensure that it complies with the Australian standards **AS 4177.2**.
10. **PLEASE NOTE:** It is advised to remove your lug or tbn when not actually towing so as to produce a clear view of the vehicles registration plate if obscured, and to also provide maximum available departure angle.
11. Pull Pin must be fit in down position.

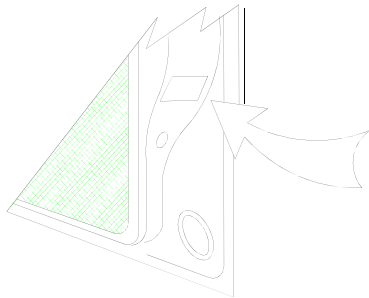
Tow bar Maintenance and Care.

Hayman Reese recommends that bolt torque's, as listed below, are routinely and regularly inspected and checked for correct tension. Replace any worn or defective parts.

We recommended to remove Tow Ball Mounts (TBM's, tongues or lugs) when not being used for any considerable length of time.

So as to avoid injury, when not towing it is suggested that the tongue, Pull Pin and R-clip are removed then stored in a safe, clean and dry place, away from excessive moisture.

Hitch Pull Pins and spring "R" clips are regularly checked for proper installation. Replace any worn or defective parts.



**Place load rating sticker
inside driver's door here**

FOR TOWING PURPOSES ONLY
For towing capacity details please refer to vehicle
owner's manual or to the manufacturer. Overloading can
void your warranties.

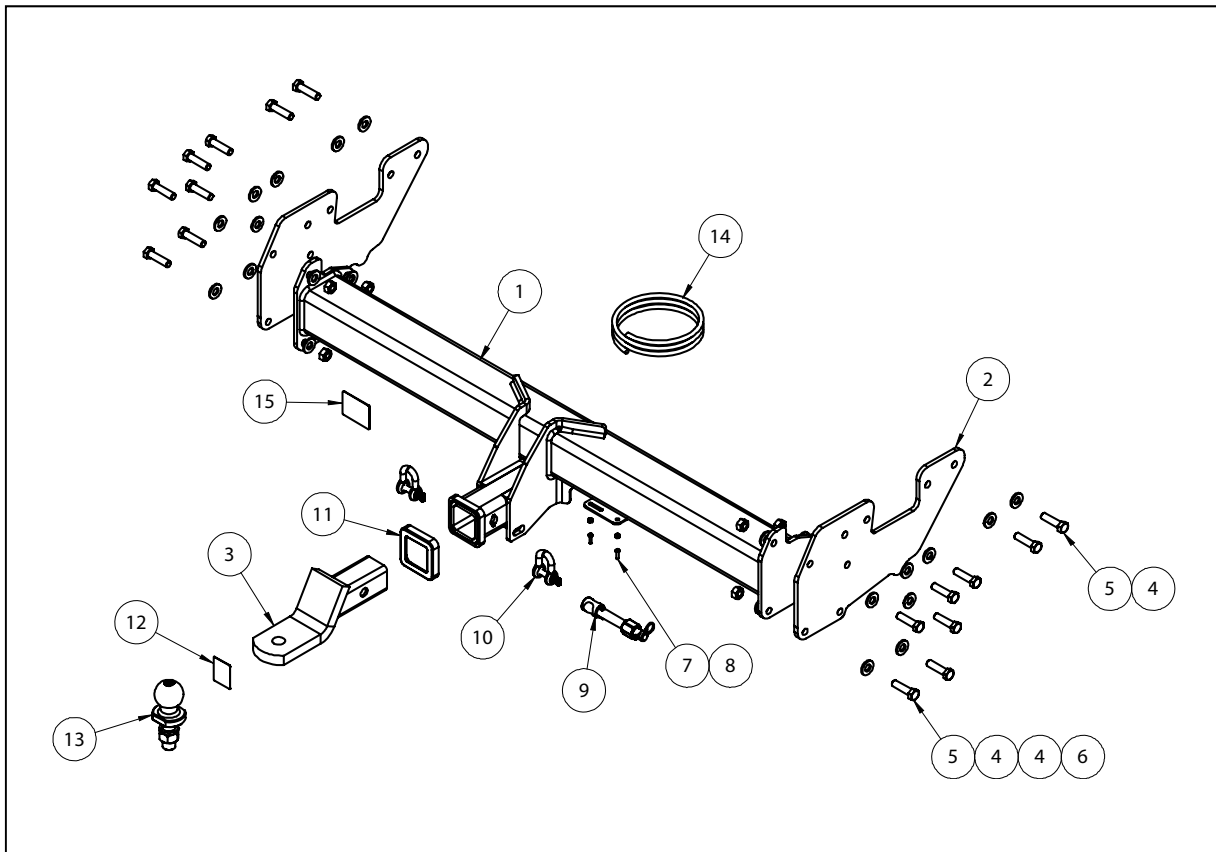
HAYMAN REESE

PART No: 03114RW

TOYOTA HILUX MY15 GUN SERIES TRAY VARIANT ONLY

INSTALLATION INSTRUCTIONS

PLEASE ENSURE THAT ALL INSTRUCTIONS ARE UNDERSTOOD PRIOR TO FITMENT
PLACE THESE INSTRUCTIONS IN THE VEHICLES'S GLOVEBOX AFTER INSTALLATION IS COMPLETED



QTY.	DESCRIPTION	ITEM NO.
1	TOYOTA HILUX TRAY WELDED ASSY	1
2	SIDE ARM	2
1	TBM ASSY	3
24	WASHER FLAT 1/2"x1 1/8"x1/8"	4
16	SET SCREW M12x45x1.25P	5
8	HEX NUT M12x1.25 PC8	6
2	SCREW PAN XR MTS M4-0.7x16 Z/P	7
2	NUT NYLOC M4-0.7x16 Z/P	8
1	ANTI-RATTLE PULL PIN ASSY GOLD	9
2	10mm "D" SHACKLE	10
1	HITCH BOX COLLAR COVER	11
1	H.R STICKER	12
1	H.R TOWBALL	13
1	TOYOTA HILUX GUN MY15 TRAILER PATCH	14
1	ACRYLIC COMPLIANCE PLATE	15

HAYMAN REESE

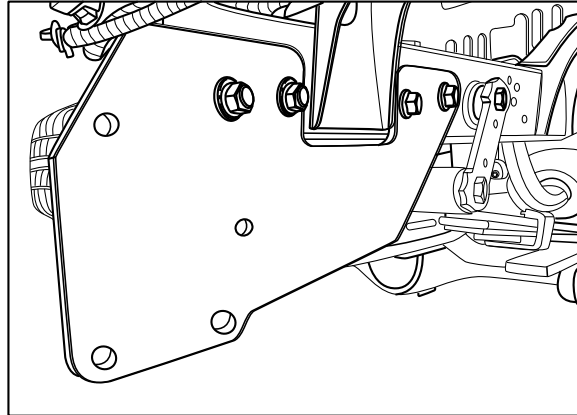
PART No: 03114RW

TOYOTA HILUX MY15 GUN SERIES TRAY VARIANT ONLY

INSTALLATION INSTRUCTIONS

PLEASE ENSURE THAT ALL INSTRUCTIONS ARE UNDERSTOOD PRIOR TO FITMENT
PLACE THESE INSTRUCTIONS IN THE VEHICLE'S GLOVEBOX AFTER INSTALLATION IS COMPLETED

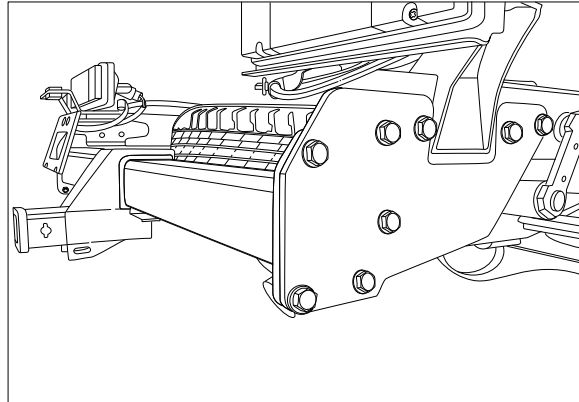
1. Loosely secure sidearm with 4 x M12 x 1.25P Set Screws and Flat washers to the four mounting points on the rear of the chassis. Repeat for opposite side.



2. Position centre section between sidearms.

Insert remaining M12 x 1.25P Sets Screws with supplied Flat Washers and Nuts. Torque all fasteners to the following:

M12 x 1.25P G10.9 : 125Nm



HAYMAN REESE
PART No: 101247-WL
TOYOTA HILUX GUN

INSTALLATION INSTRUCTIONS

PLEASE ENSURE THAT INSTRUCTIONS ARE UNDERSTOOD PRIOR TO FITMENT

Wiring Loom Installation Instructions

TOYOTA HILUX GUN

(Tub and Tray variants)

Part No: 101247-WL

Tail Harness Length Required: 1800mm

ECU Required: 04835

Power Harness Supplied: 04825

Wiring Loom Installation Time: Approx. 30 minutes

Issue Date 04-11-15

Page 1

Part No: 101247-WL

Hayman Reese (Cequent)
PO Box 4050, Dandenong South VIC 3164
Phone 1800 812 017 Email info@haymanreese.com.au

www.haymanreese.com.au



HAYMAN REESE
PART No: 101247-WL
TOYOTA HILUX GUN

INSTALLATION INSTRUCTIONS

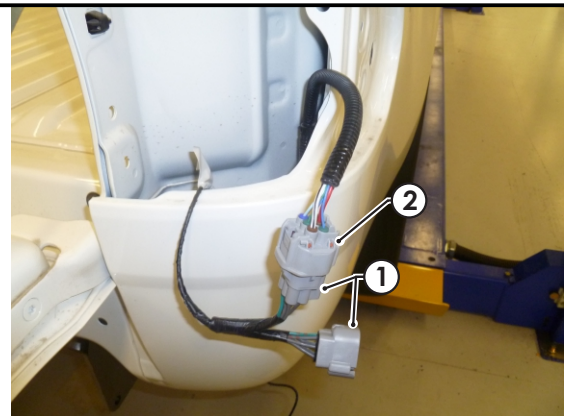
PLEASE ENSURE THAT INSTRUCTIONS ARE UNDERSTOOD PRIOR TO FITMENT

All steps apply to tub and tray variants unless otherwise specified:

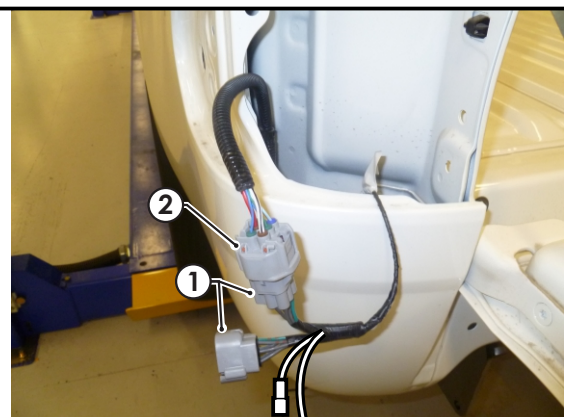
1. Disconnect and remove the LHS and RHS tail light assemblies (1) by removing the two fasteners from each tail light.



2. From underneath the vehicle, route the trailer patch harness (P/No: 101247-WL) connectors (1) up the RHS tail light cavity.
3. Patch the trailer patch harness RHS connectors (1) to the tail light connector (2) and refit the RHS tail light assembly.



4. Underneath the vehicle, route the trailer patch harness (1) over the support bar and along the vehicle harness towards the LHS tail light cavity.
5. Patch the trailer patch harness LHS connectors (1) to the tail light connector (2).



Issue Date 04-11-15

Page 2

Part No: 101247-WL

Hayman Reese (Cequent)
PO Box 4050, Dandenong South VIC 3164
Phone 1800 812 017 Email info@haymanreese.com.au

www.haymanreese.com.au



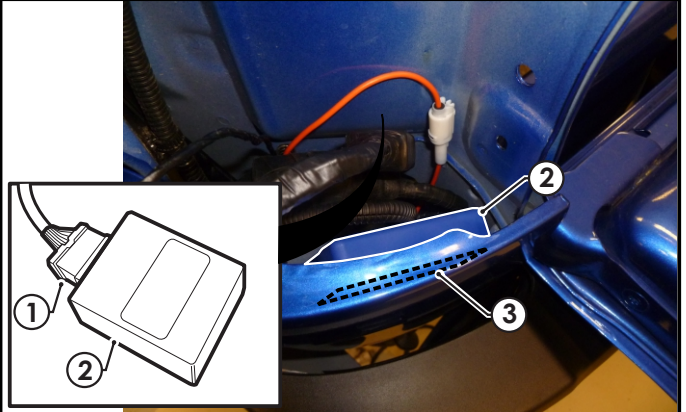
HAYMAN REESE
PART No: 101247-WL
TOYOTA HILUX GUN

INSTALLATION INSTRUCTIONS

PLEASE ENSURE THAT INSTRUCTIONS ARE UNDERSTOOD PRIOR TO FITMENT

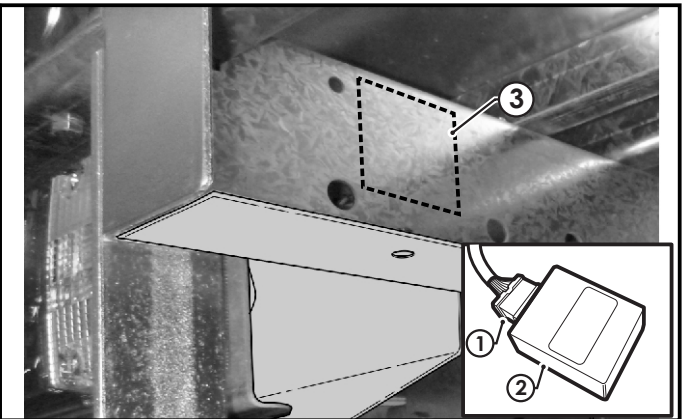
Steps 6 to 8 only for tub variants. For tray variants go to Step 9.

6. Connect the trailer patch connector (1) to the ECU (P/No: 04835) (2).
7. In the tail light cavity, clean the inner skin of the lower bumper sheet metal area with an alcohol wipe (not supplied) for ECU mounting location.
8. Remove the backing from the back of the ECU and mount the ECU (2) to the cleaned area (3). **Ensure the ECU connector is pointing downwards.**

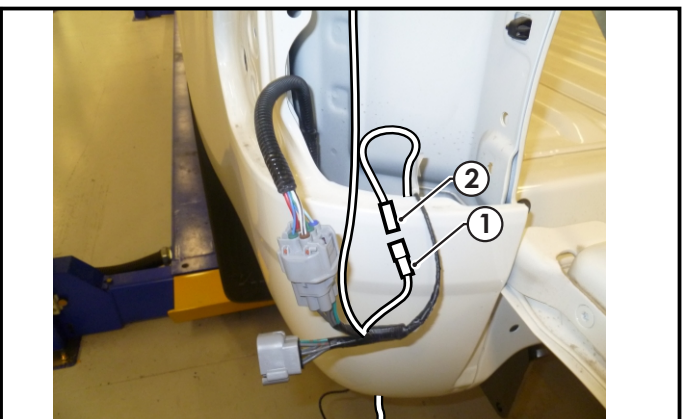


Steps 9 to 11 only for tray variants.

9. Connect the trailer patch connector (1) to the ECU (P/No: 04835) (2).
10. On the LHS chassis, clean the area inside the channel (facing the outer LHS of the vehicle) where the ECU (2) will be mounted (3) with an alcohol wipe (not supplied).
11. Remove the backing from the back of the ECU and mount the ECU (2) to the cleaned area (3). **Ensure the ECU connector is pointing downwards.**



12. Connect the trailer patch ORANGE wire 1-way connector (1) to the Power Harness (P/No: 04825) mating 1-way connector (2).
13. Refit the tail light assembly.



Issue Date 04-11-15

Page 3

Part No: 101247-WL

Hayman Reese (Cequent)
PO Box 4050, Dandenong South VIC 3164
Phone 1800 812 017 Email info@haymanreese.com.au

www.haymanreese.com.au

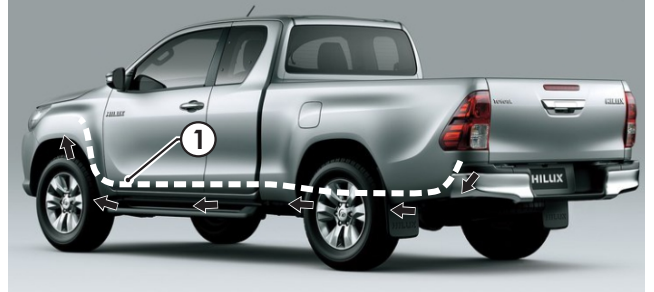


HAYMAN REESE
PART No: 101247-WL
TOYOTA HILUX GUN

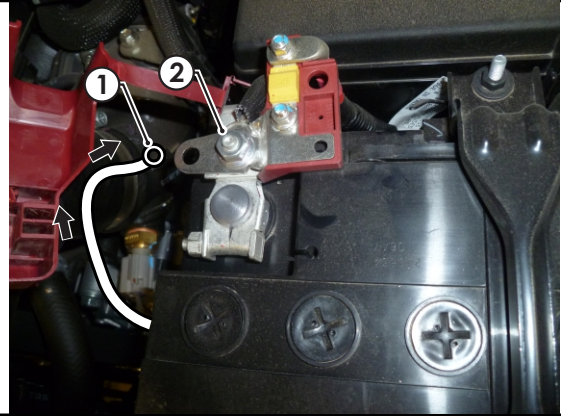
INSTALLATION INSTRUCTIONS

PLEASE ENSURE THAT INSTRUCTIONS ARE UNDERSTOOD PRIOR TO FITMENT

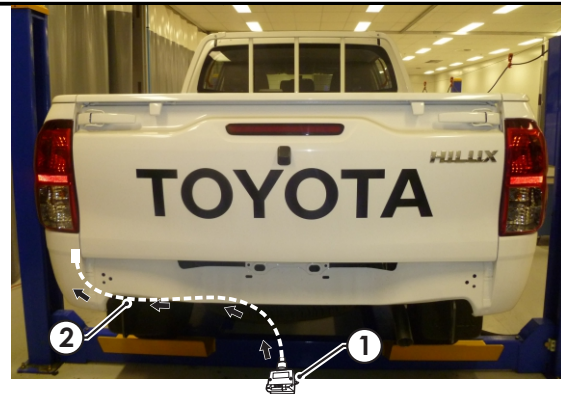
14. Route the power harness (1) along the LHS chassis rail to the engine bay. **Ensure to secure harness away from any moving parts or sharp objects and sources of extreme heat with cable ties (not supplied).**



15. Route the power harness up to the battery.
16. Secure the power harness ring terminal (1) onto the battery positive terminal fastener (2).
Note: Be careful when removing the positive nut not to short your tool on the vehicle.



17. At the rear exterior of the vehicle, mount the tail harness socket (1) to the towbar mounting bracket using M4 fasteners (not supplied).
18. Route the tail harness (tail length: 1800mm) (2) across the LHS.



Issue Date 04-11-15

Page 4

Part No: 101247-WL

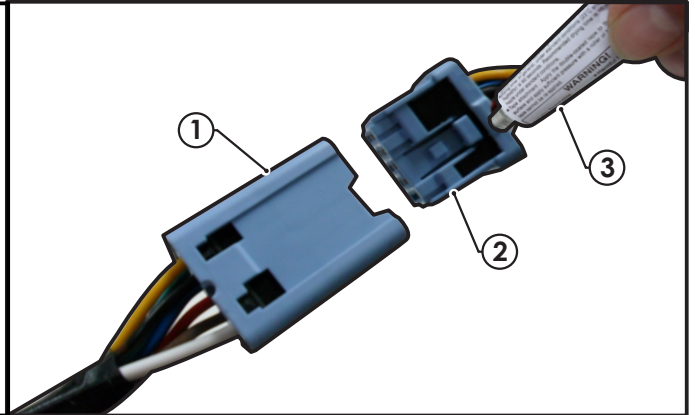
Hayman Reese (Cequent)
PO Box 4050, Dandenong South VIC 3164
Phone 1800 812 017 Email info@haymanreese.com.au

HAYMAN REESE
PART No: 101247-WL
TOYOTA HILUX GUN

INSTALLATION INSTRUCTIONS

PLEASE ENSURE THAT INSTRUCTIONS ARE UNDERSTOOD PRIOR TO FITMENT

19. Connect the tail harness 8-way connector (1) to the trailer patch 8-way mating connector (2).
20. **Waterproof the trailer patch 8-way connector (1) and the tail harness 8-way male connector (2) using silicone or grease (3) (not supplied).**



21. Test the trailer harness function using a light board or multi-meter.
22. Secure all harnesses using cable ties (not supplied).
23. Re-fit all removed parts and secure all fasteners, ensure there are no squeaks or rattles.
24. Place instructions in glove box after fitment.

Issue Date 04-11-15

Page 5

Part No: 101247-WL

Hayman Reese (Cequent)
PO Box 4050, Dandenong South VIC 3164
Phone 1800 812 017 Email info@haymanreese.com.au

www.haymanreese.com.au





FITTING INSTRUCTIONS

Smart Pin (55070BL)

• These fitting instructions are supplied to ensure understanding of how the SMART PIN should be fitted and used correctly.

• Once installed, we recommend **ALL** instructions are kept and placed in the vehicle glove box.

NOTE: Routine maintenance and inspection of the towbar & SMART PIN is required. Regularly inspect for wear and check the tightness of the SMART PIN NUT. Follow instructions below to retighten the nut when necessary.

***Do not tow with your vehicle if the R CLIP or the SMART PIN NUT is loose or missing. Replacement parts are available from your Hayman Reese Distributor.**

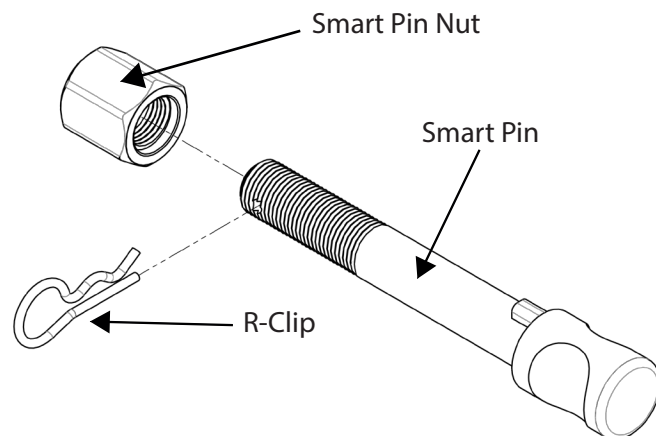
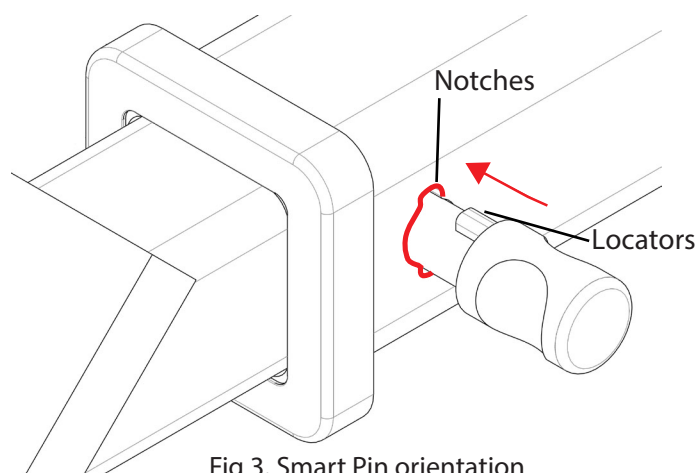
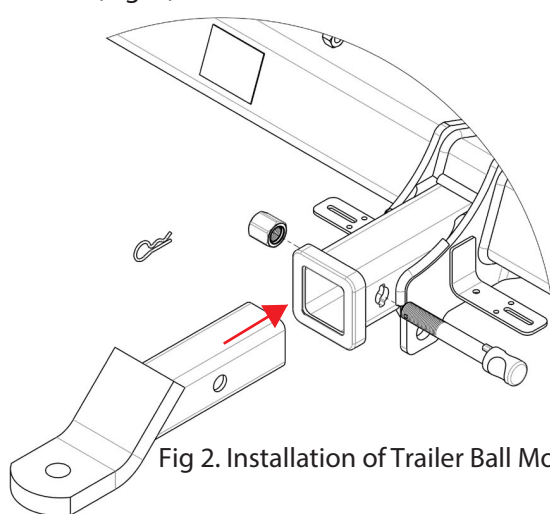


Fig 1. Smart Pin assembly

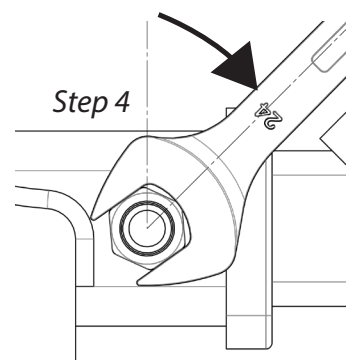
STEP 1 Insert Trailer Ball Mount (TBM) into towbar HITCHBOX, aligning hole in TBM SHANK with hole in HITCHBOX (Fig. 2).



STEP 2 Insert SMART PIN through hole in HITCHBOX and hole in TBM SHANK; ensure the LOCATORS are inserted into the NOTCHES in the HITCHBOX (Fig. 3).

STEP 3 Screw SMART PIN NUT onto SMART PIN; tighten SMART PIN NUT until finger tight, ensuring TBM is restrained from movement.

STEP 4 Tighten SMART PIN NUT by turning nut a further 1/8th of a turn in the clockwise direction using a 24mm spanner (Fig 4).



STEP 5 Install SMART PIN R CLIP through the hole on the SMART PIN (Fig. 1).

